

Tumble dryer

TD6-6



Dryer featuring exceptional savings and effortless use



Priority on people

Certified ergonomic design with a human-centered approach for an outstanding user experience

- Reversible door hanging for a convenient laundry flow
- Easy access to vital parts from the top and rear for simple servicing
- Stainless steel drum



Long-term savings

Innovative features to save money and time, and embrace a sustainable lifestyle

- Residual Moisture Control for an accurate drying result and a low energy consumption
- The coin version with Ecopower to avoid over drying of the garments and get a lower energy consumption



Pure control

Monitor your equipment and performance from anywhere, allowing to take action and to improve your business with OnE Laundry - the personal assistant for hygiene validation management, process management and revenue management



Productivity

- Reversing drum for less tangling of large items
- For optimal performance the room temperature should not exceed 25° Celcius for the condensed version

Main options and accessories

- Stainless steel front
- Connection to booking- /payment- system or coin meter
- Stacking frame for mounting TD6-6 on top of WH6-6
- Stainless steel base frame



Images shown are a representation of the product only and variations may occur.

| Main specifications | | | TD6-6 |
|-----------------------------------|---------------------|-------|-------|
| Rated capacity, | filling factor 1:22 | kg/lb | 6/13 |
| Drum volume | | litre | 130 |
| Drum diameter | | mm | 575 |
| Heating alternatives | | | |
| electric | | kW | 3.0 |
| Consumption data* | | | |
| Total time full load | | min | 55 |
| Energy consumption full load | | kWh | 2.96 |
| Evaporation | | g/min | 48 |
| Energy kWh/litre water evaporated | | kWh/l | 1.00 |

* At rated capacity 100% cotton load at 50% initial moisture dried to 0%.

Produced according to ISO 9001 and ISO 14001.

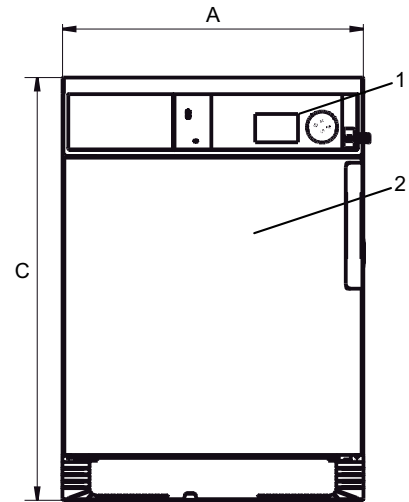
Certified with CB certificate for Low Voltage Directive and S-mark according to the Machinery Directive. Protection class IP X4D.

| Electrical connections | | | | | |
|------------------------|-----------------|-------|------------------|----------------|--------------------|
| Heating alternative | Main voltage | | Heating power kW | Total power kW | Recommended fuse A |
| | | Hz | | | |
| Electric heated | 220-240V 1/1N - | 50/60 | 2.7/3.0 | 2.9/3.3 | 13/16 |
| | 220-240V 3 - | 50/60 | 3.0 | 3.3 | 16 |
| | 380-480V 3/3N- | 50/60 | 3.0 | 3.3 | 10 |

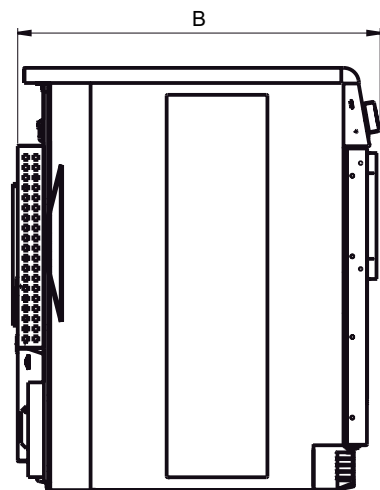
| Sound levels | | TD6-6 |
|---|---------------------------|-----------|
| Sound power/pressure level at drying* | dB(A) | 67/53 |
| Heat emission | | |
| % of installed power, max | | 15 |
| Shipping data** | | |
| Shipping volume | net, kg m ³ | 67 0.5 |
| Accessories | | |
| Stacking frame for mounting TD6-6 on top of WH6-6 | | x |
| Stainless steel base frame | | x |
| Dimensions in mm | | |
| A | Width | 597 |
| B | Depth | 715 |
| C | Height | 839 |
| D | | 138 |
| E | | 50 |
| F | | 24 |
| G | | 115 |
| 1 | Operating panel | |
| 2 | Door opening ø 370 mm | |
| 3 | Electrical connection | |
| 4 | Condense connection | |

* Sound power levels measured according to ISO 60704.

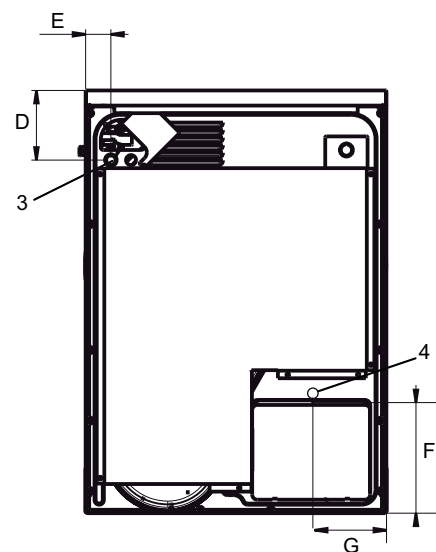
** Average data. Crated weight/shipping volume depends on configuration. Please contact logistics for exact measures.



Front



Left side



Rear side