

lagoon[®] Advanced Care

Absolute set
The ideal replacement for any dry-cleaning operation



Features and benefits



Keep customers coming back

Outstanding results for garments of every type thanks to specialized detergents and dedicated programs



Delicate on the delicates

Gentle on fine textiles and wools labelled dry-clean only, as less mechanical action. Woolmark-approved



Rapid return on investment

With a better loading factor, less prespotting, easier finishing and faster process times



Sustainable and eco-friendly

Water-based cleaning with none of the disadvantages of PERC, which can be dangerous to staff



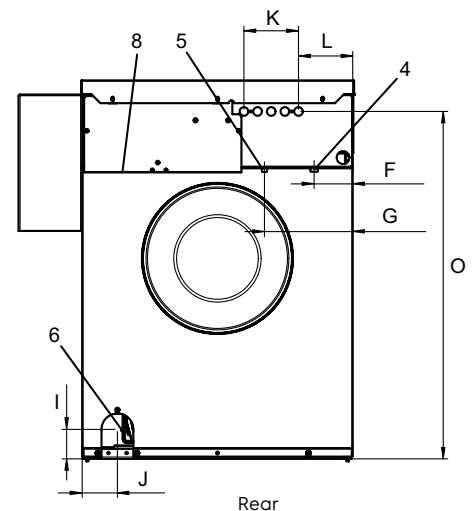
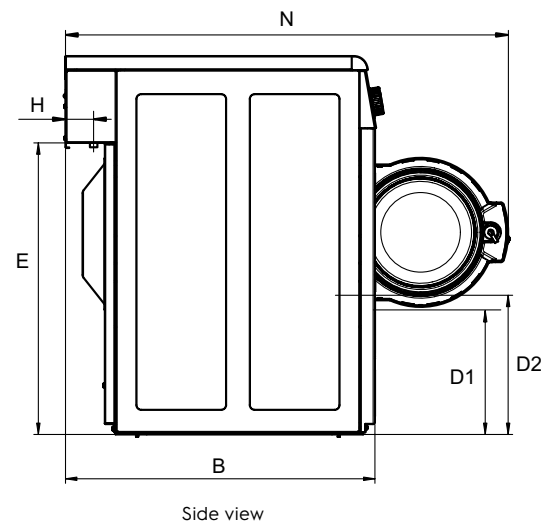
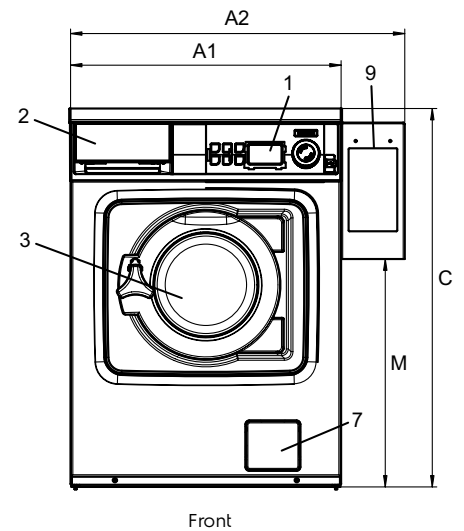
Dry to dry in 1 hour

Smart chemicals and processes mean garments are fully dried in the dryer - no hang-dry

Main specifications				WH6-6	W5180H	TD6-7	TD6-20
Max. capacity	Laundry	filling factor 1:9	kg	6	20	-	-
	Wool	filling factor 1:15	kg	4	14	-	-
	Silk	filling factor 1:18	kg	3	10	-	-
Max. capacity	Drying	filling factor 1:18	kg	-	-	7.5	20
Drum,	volume		litre	53	180	135	360
	diameter		∅ mm	452	725	575	755
Extraction			rpm	1450	1055	-	-
G-factor				530	450		
Heating alternative		electricity	kW	4.4	18.0	6.0	18.0
Consumption data "lagoon 6W02CH"							
Total time	Wool	High extraction	min	22	22	25	25
	Wool	Medium extraction	min	23	23	-	-
	Silk		min	16	16	-	-
	Synth. mix	Medium extract	min	20	20	-	-
	Synth. mix	Low extract	min	17	17	-	-
	Curtains		min	-	20	-	-
Water consumption (cold+hot)	Wool	High extraction	litre	26	110	-	-
	Wool	Medium extraction	litre	25	106	-	-
	Silk		litre	25	80	-	-
	Synth. mix	Medium extract	litre	26	85	-	-
	Synth. mix	Low extract	litre	25	80	-	-
	Curtains		litre	-	95	-	-
Energy consumption (motor/heating/water)	Wool	High extraction	kWh	0.05/0.25	0.15/1.0	-	-
	Wool	Medium extraction	kWh	0.05/0.25	0.15/1.0	-	-
	Silk		kWh	0.05/0.2	0.05/0.6	-	-
	Synth. mix	Medium extract	kWh	0.05/0.3	0.15/1.0	-	-
	Synth. mix	Low extract	kWh	0.05/0.25	0.05/0.95	-	-
	Curtains		kWh	-	0.05/0.7		
Consumption data "Normal 60°C"							
Total time			min	50	46	31.0	27
Water consumption (cold+hot)			litre	29+10	128+31	-	-
Energy consumption (motor/heating/hot water)			kWh	0.2/0.15/0.6	0.5/0.9/2	3.23	8.2
Residual moisture			%	45	48	-	-
Evaporation			g/min	-	-	99	352
Energy/Water evaporation			kWh/l	-	-	1.06	1.21

Electrical connections					
Heating alternative	Main voltage		Heating power kW	Total power kW	Recommended fuse A
	Hz				
Electric heated	220-240V 1N -	50/60	2.2/2.8	2.4/3.0	16
	220-240V 1N -	50/60	4.4	4.6	20
	220-230V 1N -	50/60	4.4	4.6	25
	220-240V 3 -	50/60	4.4	4.6	16
	220-230V 3 -	50/60	4.4	4.6	20
	380-415V 3N -	50/60	4.4	4.6	10
	380-415V 3 -	50/60	3.6	3.8	10
	440V/480 3 -	60	4.0/4.4	4.3/4.7	10
Non heated	110-480V 1/3 -	50/60	-	0.5	10

Water connections		WH6-6	
Water valves	DN	20	
Water pressure	kPa	200-500	
Capacity at 300 kPa	l/min	17	
Drain valve	∅ mm	50	
Draining capacity	l/min	160	
Liquid detergent supplies		5	
Floor requirements			
Frequency of the dynamic force	Hz	24.2	
Floor load at max extraction	kN	1.02 ± 0.3	
Sound levels			
Sound power/pressure level at extraction*	dB(A)	70/56	
Sound power/pressure level at wash*	dB(A)	56/42	
Heat emission			
% of installed power, max		5	
Shipping data**			
Shipping volume	net, kg crated, m ³	100 0.46	
Accessories			
Stainless steel fluff collector		x	
Stacking kit with tumble dryer		x	
Steel base		x	
Dimensions in mm			
A1	Width	595	
A2	Width	735	
B	Depth	681	
C	Height	832	
D1		284	
D2		310	
E		641	
F		84	
G		194	
H		48	
I		65	
J		78	
K		120	
L		119	
M		501	
N		974	
O		764	
1	Operating panel	6	Drain valve
2	Detergent box	7	Drain pump
3	Door opening ∅ 255 mm	8	Electrical connection
4	Cold water	9	Payment system
5	Hot water		



Front and side panels in metallic grey and dark blue

* Sound power levels measured according to ISO 60704.

** Average data. Crated weight/shipping volume depends on configuration. Please contact logistics for exact measures.

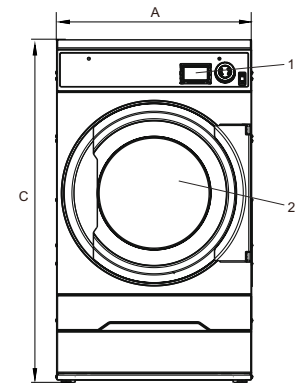
Electrical connections					
Heating alternative	Main voltage		Heating power kW	Total power kW	Recommended fuse A
		Hz			
Electric heated	220-240V 1 -	50/60	4.5/6.0	4.8/6.3	25/35
	220-230V 3 -	50/60	4.5/6.0	4.8/6.3	16/20
	240V 3 -	50/60	4.5/6.0	4.8/6.3	16/16
	380-400V 3 -	50/60	4.5/6.0	4.8/6.3	10/16
	415/440/480V 3 -60		4.5/6.0	4.8/6.3	10/10
Gas heated	220-480V 1/3 -	50/60	*	0.3	10

* Total power and recommended fuse does not depend on the heating power in those cases.

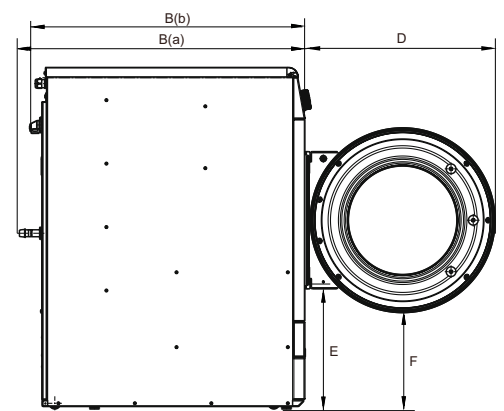
Gas and air connections			TD6-7
Gas		ISO 7/1-R	1/2"
Gas pressure	Natural gas	Pa	2000
		mbar	20
	Propane	Pa	2800-5000
		mbar	28-50
Air outlet		ø mm	125
Evacuated air,	el 3.0/4.5 kW	m ³ /h	150
	6.0 kW	m ³ /h	220
Pressure drop	gas 7.0 kW		280
	el 3.0/4.5 kW	Max. Pa	350
	6.0 kW	Max. Pa	270
	gas 7.0 kW		230
Sound levels			
Sound power/pressure level at drying*			dB(A)
			63/48
Heat emission			
% of installed power, max			15
Shipping data**			
Weight		net, kg	109
Shipping volume		crated, m ³	0.81
Dimensions in mm			
A	Width		600
B(a)	Depth, el		845
B(b)	Depth, gas		877
C	Height		1050
D			582
E			384
F			296
G			79
H			50
I			98
J			118
K			90
L			522
1	Operating panel		
2	Door opening ø 392 mm		
3	Electrical connection		
4	Exhaust connection		
5	Gas connection		

* Sound power levels measured according to ISO 60704.

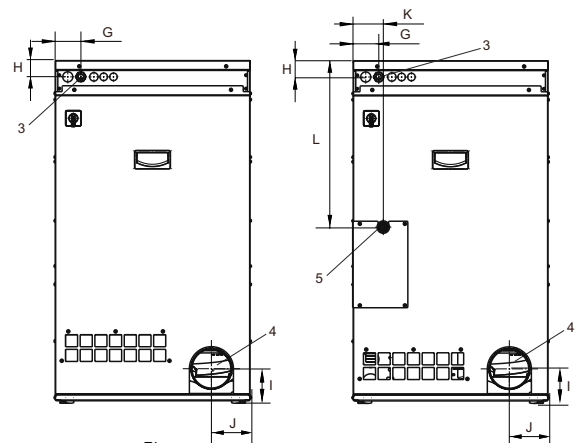
** Average data. Crated weight/shipping volume depends on configuration. Please contact logistics for exact measures.



Front



Left side



Rear side

Electrical connections					
Heating alternative	Main voltage		Heating power kW	Total power kW	Recommended fuse A
		Hz			
Electric heated	220-240V 3 ~	50/60	18.0	18.3	50
	380-415V 3N ~	50/60	18.0	18.3	35
	440V 3 ~	60	18.0	18.4	25
	480V 3 ~	60	18.0	18.4	25
Steam or Non heated	220-480V 1 ~	50/60	-	2.3	10

Water and steam connection		W5180H
Water valves	DN	20
Water pressure	kPa	200-600
Capacity at 300 kPa	l/min	30
Drain valve	∅ mm	75
Draining capacity	l/min	170
Steam valve	DN	15
Steam pressure	kPa	300-600
Liquid detergent supplies		5

Floor requirements		
Frequency of the dynamic force	Hz	17.6
Floor load at max extraction	kN	4.2 ± 1.0

Sound levels		
Sound power/pressure level at extraction*	dB(A)	84/68
Sound power/pressure level at wash*	dB(A)	66/50

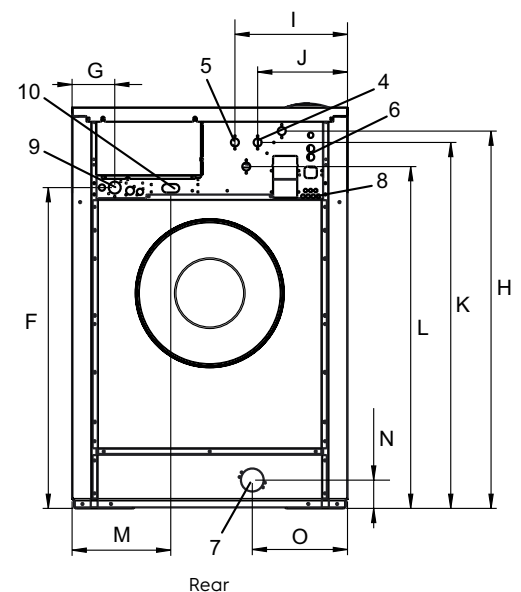
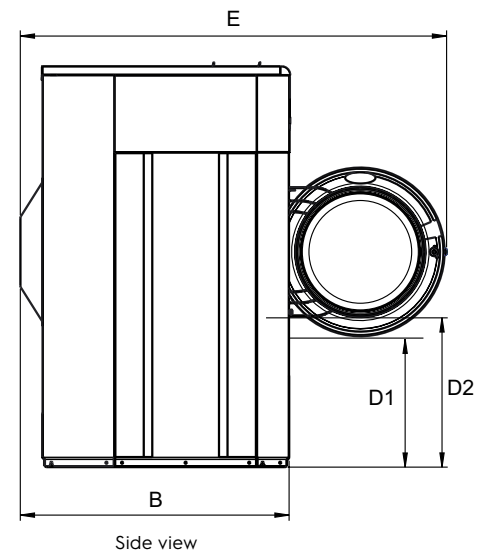
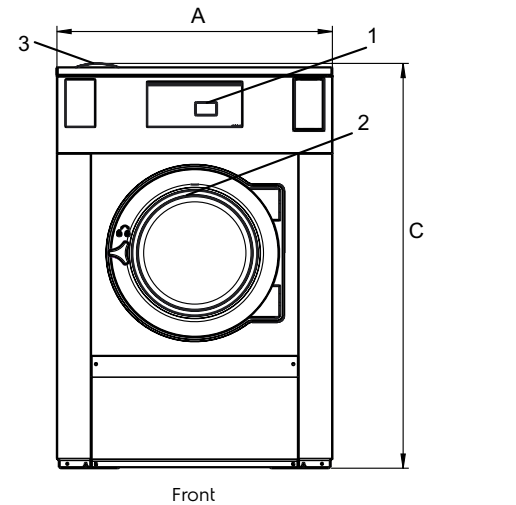
Heat emission		
% of installed power, max		5

Shipping data**		
Weight	net, kg	354
Shipping volume	m ³	1.66

Accessories		
Steel base		x
Hose kits for water or steam		x
Fluff collector		x

Dimensions in mm		
A	Width	970
B	Depth	947
C	Height	1426
D1		461
D2		526
E		1501
F		1130
G		150
H		1329
I		397
J		317
K		1289
L		1204
M		348
N		100
O		335

1	Operating panel	7	Drain
2	Door opening ∅ 435 mm	8	Liquid detergent supply
3	Detergent box	9	Electrical connection
4	Cold water	10	Steam connection
5	Hot water		
6	Re-used water		



Front and side panels in light grey and blue (RAL 260 70 05, 250 60 30)

* Sound power levels measured according to ISO 60704.

** Average data. Crated weight/shipping volume depends on configuration. Please contact logistics for exact measures.

Electrical connections					
Heating alternative	Main voltage		Heating power kW	Total power kW	Recommended fuse A
		Hz			
Electric heated	220-230V 3 ~	50/60	13.5/18.0	14.5/19.0	50/50
	240V 3 ~	50/60	13.5/18.0	14.5/19.0	35/50
	380-415V 3N ~	50/60	13.5/18.0	14.5/19.0	25/35
	440V 3 ~	50/60	13.5/18.0	14.5/19.0	20/35
	480V 3 ~	60	13.5/18.0	14.5/19.0	20/25
Gas heated/ Steam heated	220-240V 3 ~	50/60	*	1.0	10
	380-415V 3N ~	50/60	*	1.0	10
	440V 3 ~	50/60	*	1.0	10
	480V 3 ~	60	*	1.0	10

* Total power and recommended fuse does not depend on the heating power in those cases.

Steam, gas and air connections			TD6-20
Steam		ISO 7/1-R	1"
Steam pressure		kPa	100-1000
Steam consumption		kg/h	65
Condensate		ISO 7/1-R	1"
Gas		ISO 7/1-R	1/2"
Gas pressure	Natural gas	Pa	2000
		mbar	20
	Propane	Pa	2800-5000
		mbar	28-50
Air outlet		ø mm	200
Evacuated air,	el 13.5 kW	m ² /h	370
	el 18.0 kW		525
	gas 21.0 kW		600
	steam 25.0 kW		690
	Pressure drop	el 13.5 kW el 18.0 kW gas 21.0 kW steam 25.0 kW	Max. Pa

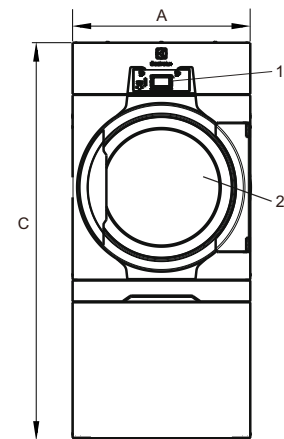
Sound levels	
Sound power/pressure level at drying*	
	dB(A)
	72/56

Heat emission	
% of installed power, max	15

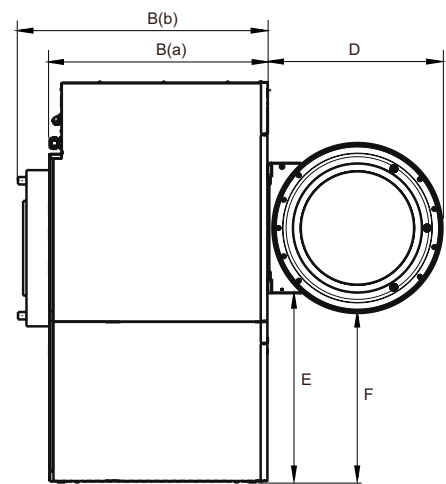
Shipping data**	
Weight	net, kg crated, m ³
	243 2.07

Dimensions in mm		
A	Width	790
B(a)	Depth, el and gas	1202
B(b)	Depth, steam	1342
C	Height	1771
D		773
E		836
F		750
G		110
H		62
I		270
J		240
K		174
L		605
M		739
N		396

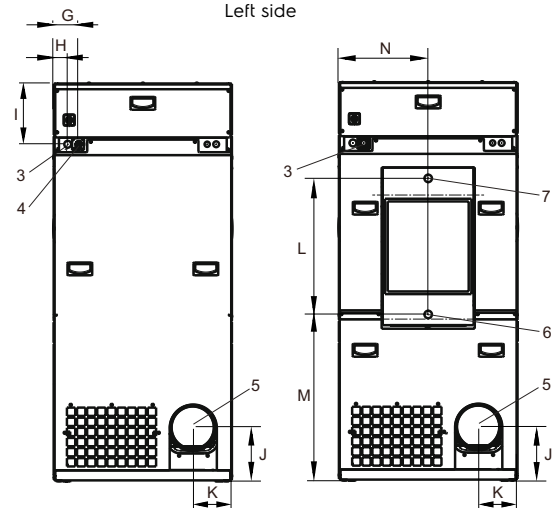
- 1 Operating panel
- 2 Door opening ø 580 mm
- 3 Electrical connection on gas heated machines
- 4 Gas connection/Electrical connection on electrical heated machines
- 5 Exhaust connection
- 6 Condensate connection
- 7 Steam connection



Front



Left side



El, gas

Steam

Rear side

* Sound power levels measured according to ISO 60704.

** Average data. Crated weight/shipping volume depends on configuration. Please contact logistics for exact measures.



For more information about Efficient Dosing System please refer to the EDS Product Data Sheet

Efficient Dosing System	230V / 50Hz	115V / 60Hz
EDS complete kit with 2 pumps	988916901	988916911
EDS complete kit with 3 pumps	988916902	988916912
EDS complete kit with 4 pumps	988916903	988916913
EDS complete kit with 5 pumps	988916904	988916914
EDS complete kit with 6 pumps	988916935	988916915
EDS Controller	988916937	988916937
EDS 24V Interface	988916941	988916941

Low level alarm		Description	PNC
Power supply	230V AC 50/60Hz	Low level alarm	988916610
Peak power absorbed	4W	Low level probe	988916611
Number of sensor level inputs	7 opto-isolated	LLA & 2 probes	988916612
Entry probes	Low voltage contact	LLA & 3 probes	988916613
Degree of protection	IP 65	LLA & 4 probes	988916614
Alarm output	Relay contact NA250V 8A max.	LLA & 5 probes	988916615
		LLA & 6 probes	988916616

Electrolux name and description	Packaging 20 litres	Packaging 10 litres
W01 - lagoon Sensitive Detergent Professional detergent for natural/animal fiber	432731085	432731086
W03 - lagoon Sensitive Conditioner Professional conditioner for natural/animal fiber	432731087	432731088
W02 - lagoon Delicate Detergent Professional delicate universal detergent	432731089	432731090

For further information including spotting agents, please refer to the lagoon detergent Product Data Sheet



BASE; open front and sides with wheels


Suitable for models: TD6-7
 988918477 Height: 370 mm
 Material: Stainless steel
 988918478 Height: 370 mm
 Material: Galvanised, silver grey painted

BASE; closed front and sides


Suitable for models: WH6-6
 988918473 Height: 100 mm
 Material: Stainless steel
 988918474 Height: 100 mm
 Material: Galvanised, silver grey painted

BASE; closed front and sides with wheels


Suitable for models: TD6-7
 988918475 Height: 100 mm
 Material: Stainless steel
 988918476 Height: 100 mm
 Material: Galvanised, silver grey painted

BASE; closed front and sides


Suitable for models: WH6-6
 988918483 Height: 290 mm
 Material: Stainless steel front and galvanised, silver grey painted sides
 988918484 Height: 290 mm
 Material: Galvanised, silver grey painted front and sides
 988918485 Height: 290 mm
 Material: Stainless steel front and galvanised, silver grey painted sides
 Special version "floating foundation" - concrete filled
 988918486 Height: 290 mm
 Material: Galvanised, silver grey painted front and sides
 Special version "floating foundation" - concrete filled

STACKING KIT with or without base


Suitable for models: WH6-6 with TD6-7
 988918479 Stainless steel stacking kit without the base
 988918480 Galvanised, silver grey painted stacking kit without the base
 988918481 + 988918473 Stainless steel stacking kit with the base included
 988918482 + 988918474 Galvanised, silver grey painted stacking with the base included
 988918481 Stainless steel stacking kit, when re-using existing base
 988918482 Galvanised, silver grey painted stacking, when re-using existing base

BASE; closed front and sides


Suitable for models: W5180H
 988918811 Height: 230 mm
 Material: Galvanised, grey painted steel with stainless steel front panel